



**Better  
Kitchens**



# **True Handleless**

Fitting Guide 2025

## **IMPORTANT – PLEASE NOTE**

The information contained in this literature is for illustrative purposes only to assist in choosing your desired kitchen. While we endeavour to keep the information up to date and correct, we do not make any representations or warranties (express or implied) about the completeness, accuracy, reliability, or suitability of the doors and products shown.

We aim to showcase as many different items as possible. Some products have been installed and photographed purely to display various product features and should not be taken as examples of real kitchen installations.

### **Installation Responsibility**

It is the installer's responsibility to check the manufacturer's installation and technical information to ensure:

The products are up to date.  
They can be fitted as displayed.  
They are suitable for your requirements.

**We exclude any liability unless products are fitted in accordance with:**

The specifications we supply.  
The manufacturer's installation recommendations.  
The manufacturer's technical information.

### **Product Information & Updates**

The information shown in this literature is accurate at the date of print/release, but it may be subject to change. Please check with us to ensure you have the most current product information before making a purchase.

### **Colour Variations & Ageing**

All products we sell are covered by a statutory warranty.  
Natural ageing may cause slight variations in colour over time.  
Identical colour matching cannot be guaranteed for replacement products from the same line.  
In such cases, our liability is limited to the purchase price of the product being replaced.

### **Colour Representation & Board Matches**

Due to photographic limitations, colours may differ slightly from actual products.  
Board matches listed with doors are suggestions only—better matches may be available.  
It is the customer's responsibility to determine suitability.

### **Final Note**

The information in this literature is accurate at the time of print but may change. Please ensure you are viewing the most up-to-date product information and contact us if you have any doubts about suitability or accuracy.

# TRUE HANDLELESS PROFILE OVERVIEW

The diagram below shows the key components of the Better Kitchens True Handleless kitchen system. It highlights how the profiles and joints fit together to create a seamless, handle-free design.



## Colour Availability

**Finish / Material**  
Aluminium

The Better Kitchens range of True Handleless profiles is available in six colour options, allowing you to match or contrast with your kitchen design.



Brushed Silver



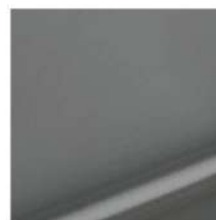
Brushed Copper



Brushed Bronze



Brushed Brass



Anthracite



Brushed Black

## Top Profiles

**Finish / Material**  
Aluminium

**Top Profiles**  
Used at the top of base units, below the worktop.



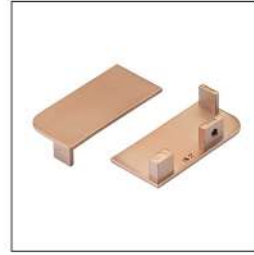
Top Profile



Top External Corner



Top Internal Corner



Top End Plate



Quick Fix Bracket

## Mid Profiles

**Finish / Material**  
Aluminium

**Mid Profiles**  
Used for mid and bottom drawers.



Mid Profile



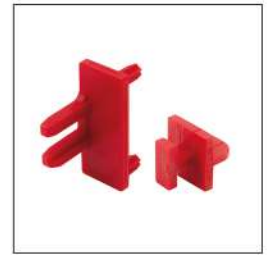
Mid External Corner



Mid Internal Corner



Mid End Plate



Quick Fix Bracket

## Vertical Profiles

**Finish / Material**  
Aluminium

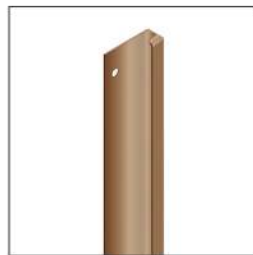
**Vertical Profiles**  
Used between two tall units.



Vertical Single Door



Vertical Double Door



Appliance Spacer



Rear Spacer Set

# Top Profile

**Finish / Material**  
Aluminium

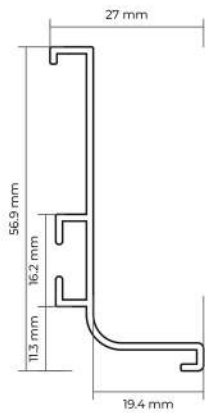
**Dimensions**  
4000 x 56.9 x 27mm

**Accessories available**  
Quick Fix Brackets  
End Cap - Top  
End Plate - Top  
Internal Corner Joint - Top  
External Corner Joint - Top

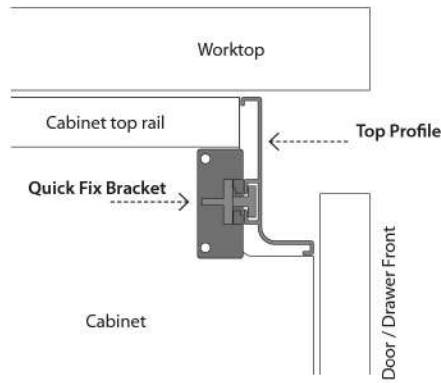


- Used for base unit doors and top drawers.
- Can be cut to size using a circular chop saw.
- Secured to cabinets with Quick Fix Brackets.
- Profiles can be finished off with End Caps before fitting.
- Top profiles can be linked at corners using Internal and External Corner Joints.

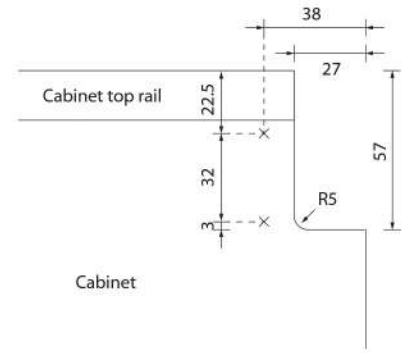
## DIMENSIONS



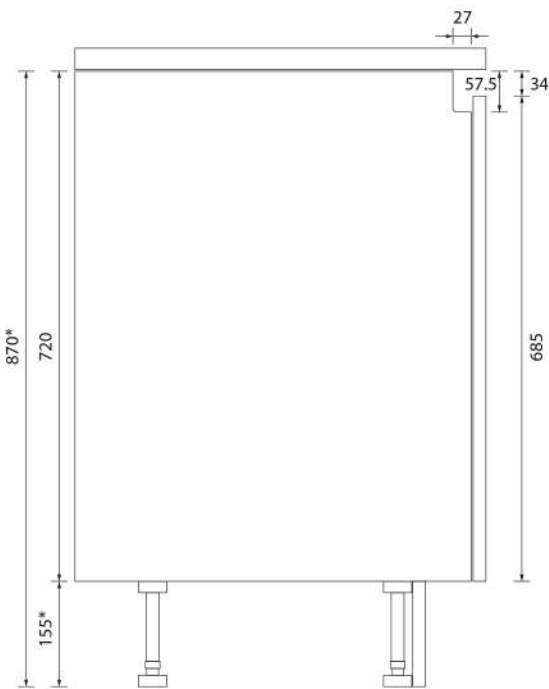
## FITTED DETAIL



## CABINET ROUTING

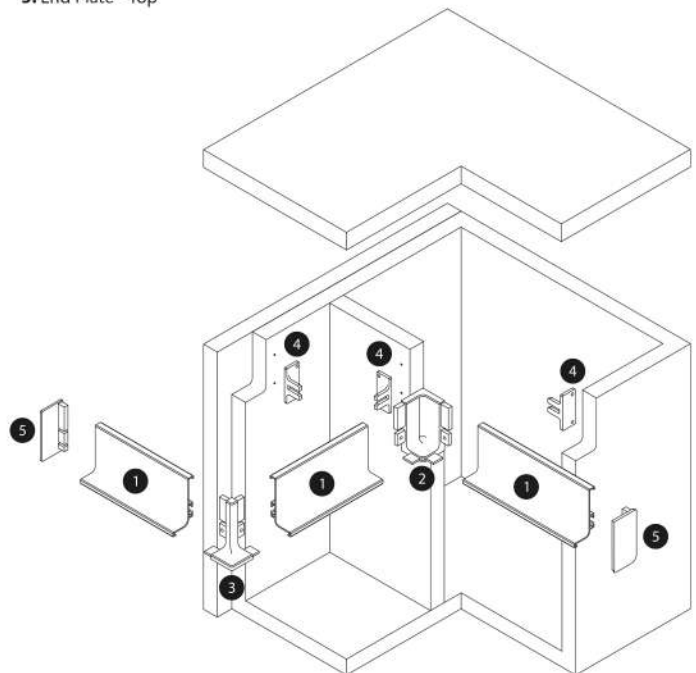


## CABINET DIMENSIONS



\* **nb.** If installing an intergrated appliance in the kitchen please add a minimum of 5mm to allow for easy installation of appliance.

1. Top Profile
2. Internal Corner Joint - Top
3. External Corner Joint - Top
4. Quick Fix Bracket
5. End Plate - Top



# Mid Profile

**Finish / Material**  
Aluminium

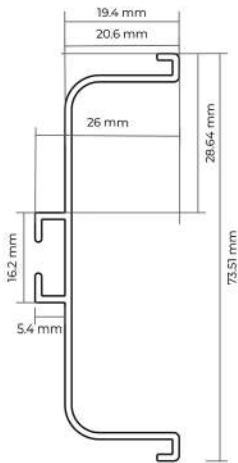
**Dimensions**  
4000 x 73.5 x 26mm

**Accessories available**  
Quick Fix Brackets  
End Cap - Mid  
End Plate - Mid  
Internal Corner Joint - Mid  
External Corner Joint - Mid

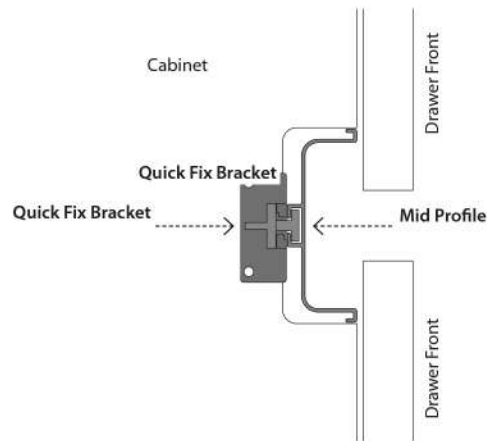


- Used for mid and bottom drawers.
- Can be cut to size using a circular chop saw.
- Secured to cabinets with Quick Fix Brackets.
- Profiles can be finished off with End Caps before fitting.
- Mid profiles can be linked at corners using Internal and External Corner Joints.

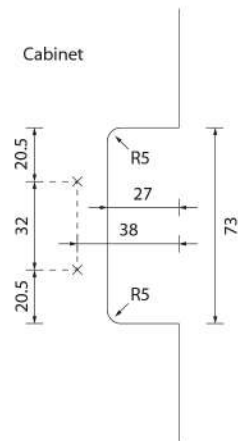
## DIMENSIONS



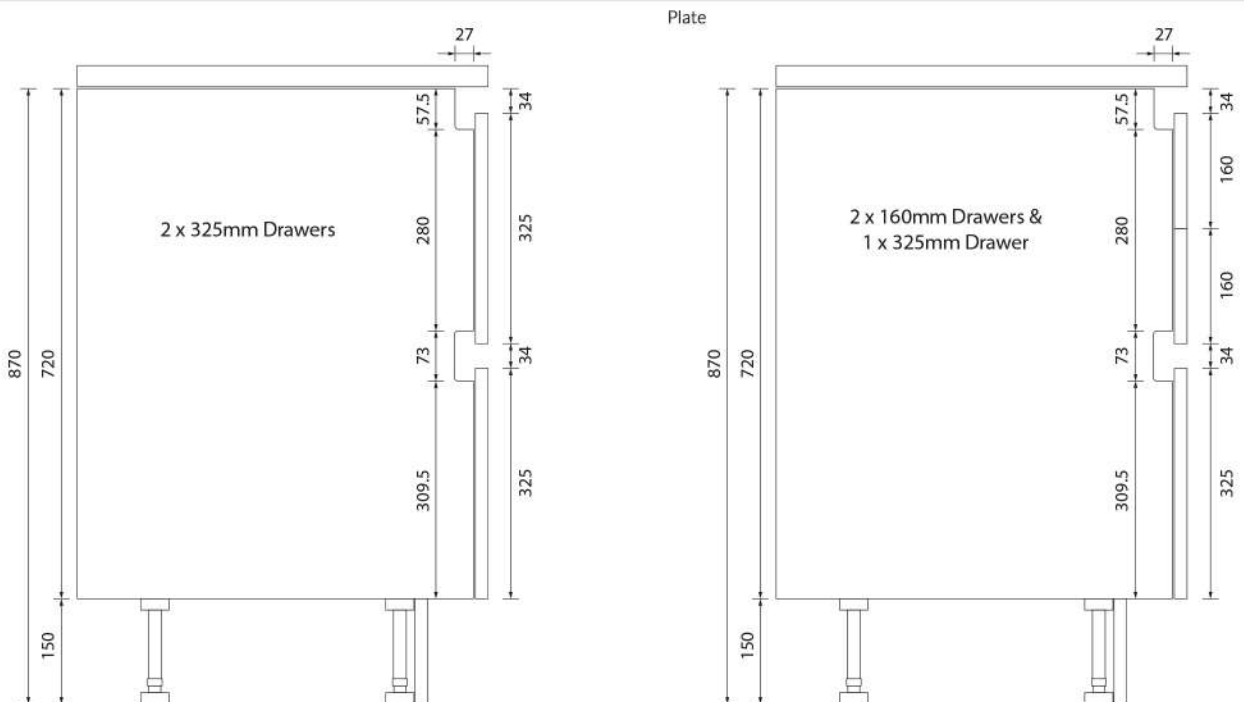
## FITTED DETAIL



## CABINET ROUTING



## CABINET DIMENSIONS

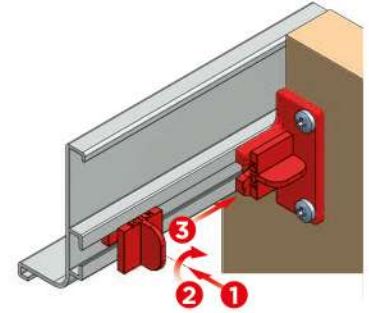
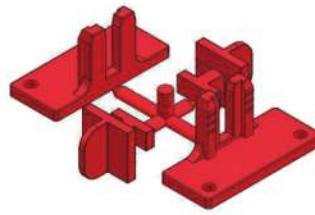


# Quick Fix Brackets for Top & Mid Profiles

**Finish / Material**  
Plastic

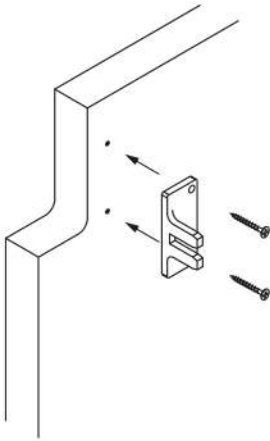
**Dimensions**  
N/A

**Accessories**  
N/A

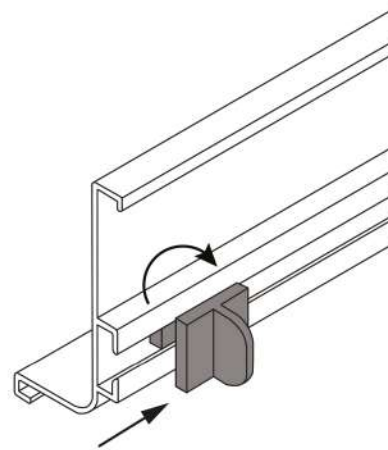


- Screw mounted brackets for top and mid profiles.
- Comes in pairs.

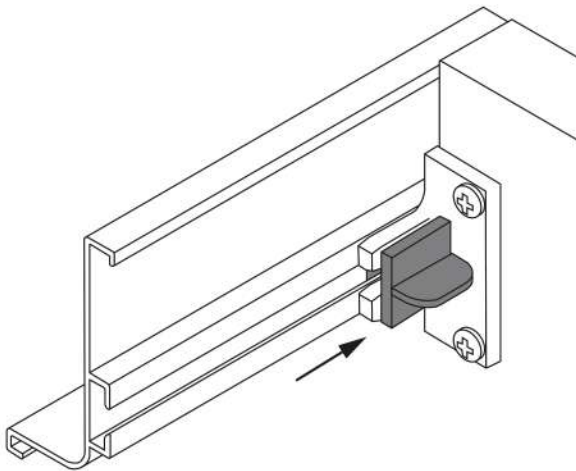
## FITTING TOP AND MID PROFILES



**Step 1.**  
Attach quick fix brackets to routed cabinet gables using screws.



**Step 2.**  
Slide the connectors into the back of the profile and turn 90 degrees.

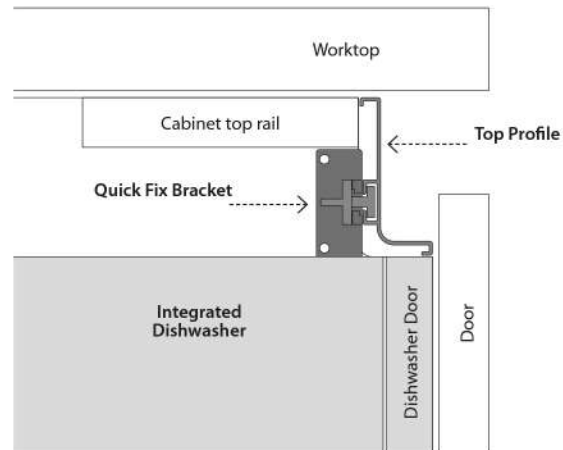


**Step 3.**  
Apply profile to routed cabinet and push connectors into brackets to secure the profile to the cabinet.

# Integrating Under Counter Appliances

## Integrated Dishwasher

- The Top Profile can be used to run above an integrated appliance.
- It is recommended to **set integrated dishwasher height at 815mm** and adjust carcass legs to a min. height of 155mm. Please note, these dimensions are based on standard height dishwasher. Cabinet legs may need to be raised further if appliance height is different.
- Metal brackets (supplied with dishwasher) should be fixed to the outer face of adjacent cabinets. Please note, an additional bracing baton may be required to the rear of the machine to help reduce movement.
- If drawers are situated next to an integrated appliance, we recommend using end caps to cover any gaps.



## IMPORTANT

We recommend extending the cabinet legs to a minimum height of 155mm to ensure the integrated dishwasher will fit easily.

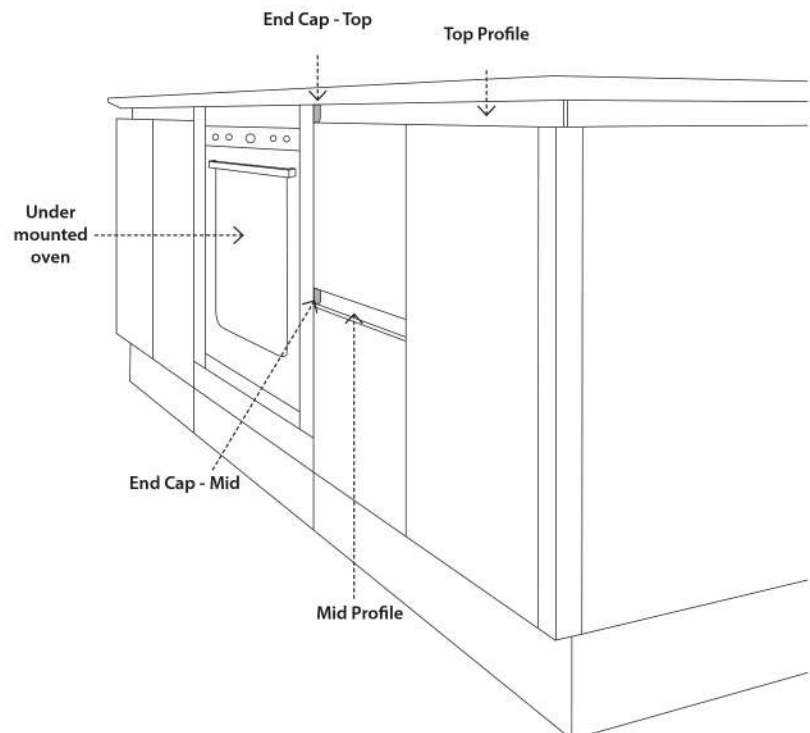
Always check the minimum height of your under-counter appliances before installing your Better Kitchens True Handleless kitchen to ensure there is enough clearance under the top rail.



## Undermounted Oven

The Top Profile can't be used in conjunction with an undermounted oven. Profiles must stop on each side of the appliance and can be finished with end caps.

If using a freestanding cooker, end panels will need to be fitted on either side of the appliance, and the profile finished against the panel.

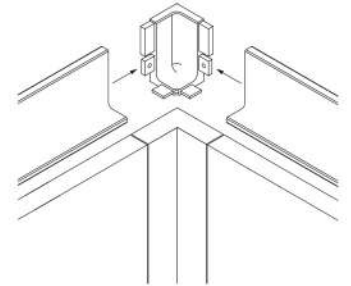
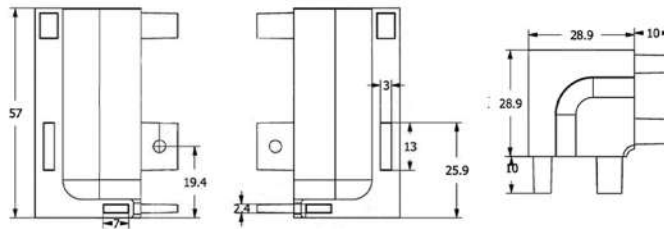




## Internal Corner Joint - Top Profile

**Finish / Material**  
Aluminium

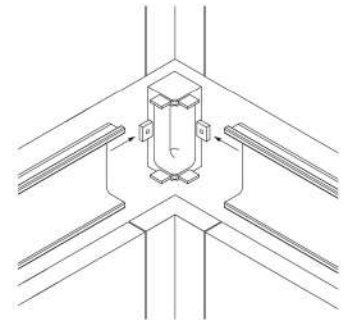
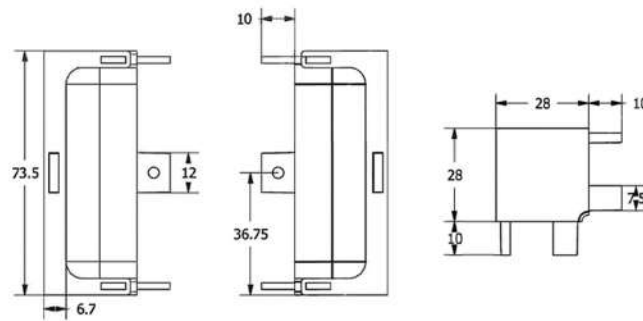
- Used to connect two top profiles at an internal corner, to be used together with an internal corner post.
- Secured to the top profile using two screws (supplied).



## Internal Corner Joint - Mid Profile

**Finish / Material**  
Aluminium

- Used to connect two mid profiles at an internal corner, to be used together with internal corner posts.
- Secured to the mid profile using two screws (supplied).

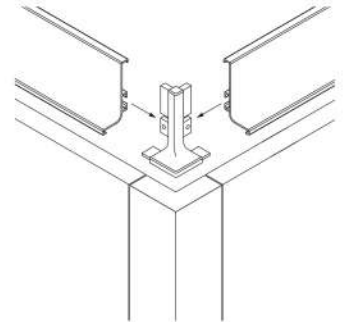
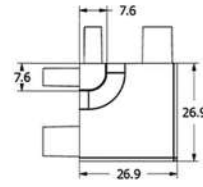
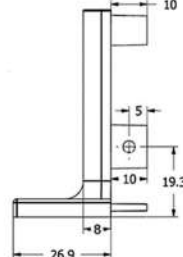
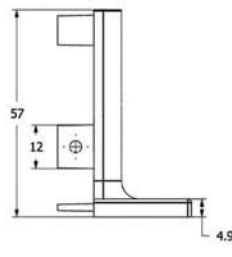


**Denia Premium Painted**  
with Silver True Handleless Profiles

## External Corner Joint - Top Profile

**Finish / Material**  
Aluminium

- Used to connect two top profiles running around an external corner or an island unit, to be used together with an external corner post.
- Secured to the top profile using two screws (supplied).
- **Nb.** A cut out needs to be made on the routed gable end to accommodate the screw heads behind the external corner joint (see Diagram 1 below).



## External Corner Joint - Mid Profile

**Finish / Material**  
Aluminium

- Used to connect two mid profiles running around an external corner or an island unit, to be used together with external corner posts.
- Secured to the mid profile using two screws (supplied).
- **Nb.** A cut out needs to be made on the routed gable end to accommodate the screw heads behind the external corner joint (see Diagram 1 below).

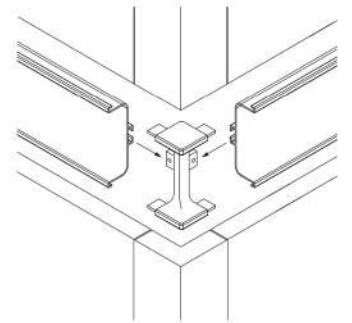
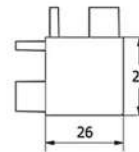
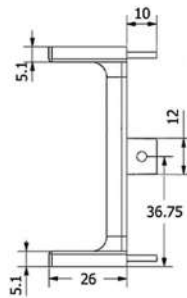
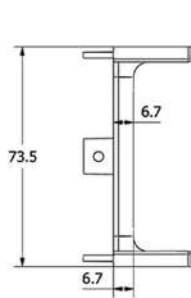
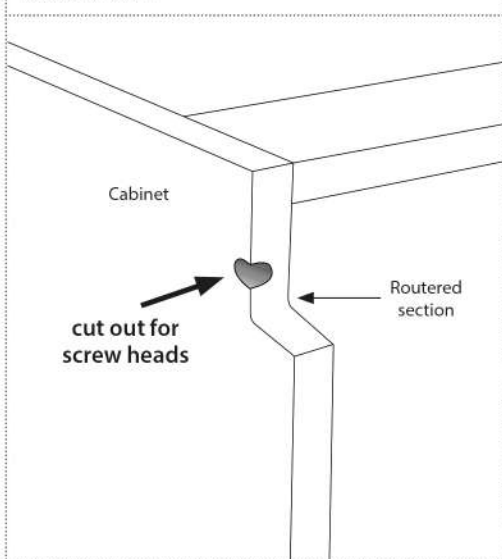


DIAGRAM 1

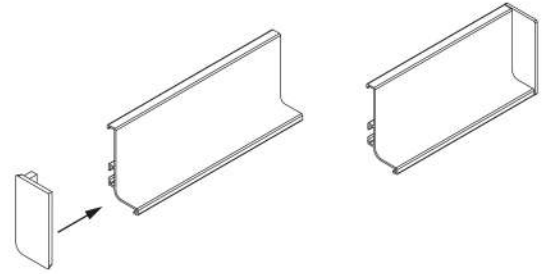
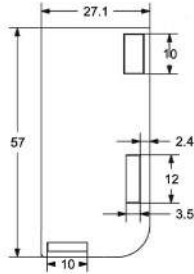


Before applying the corner joints to the cabinets, a hole needs to be notched out of the routed gable end to accommodate the two screw heads at the back of the corner joints.

## End Plate - Top Profile

**Finish / Material**  
Aluminium

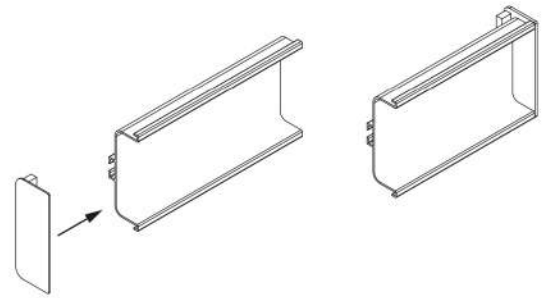
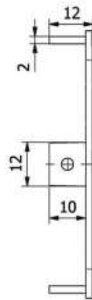
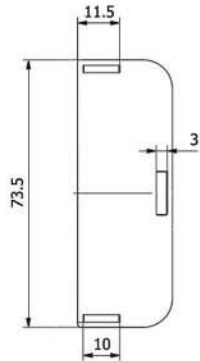
- Used at the end of a top profile for example against a wall, end panel or next to appliances such as under mounted oven.
- Secured to the top profile using a grub screw (supplied). Grub screw secured with Allen key.
- When using end caps, a 2mm spacing must be taken into account when cutting down the trim.



## End Plate - Mid Profile

**Finish / Material**  
Aluminium

- Used at the end of a mid profile for example against a wall, end panel or next to appliances such as an under mounted oven.
- Secured to the mid profile using a grub screw (supplied). Grub screw secured with Allen key.
- When using end caps, a 2mm spacing must be taken into account when cutting down the trim.



# Vertical Profile - Double Door (Intermediate)

## Finish / Material

Aluminium

## Dimensions

2550 x 66.5 x 30mm

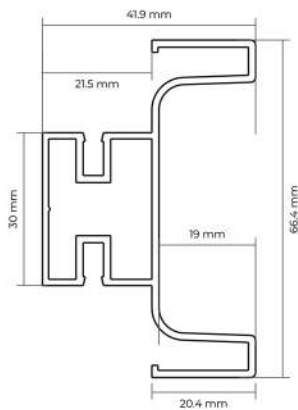
## Accessories available

Appliance Spacer Profile  
30mm Rear Spacer

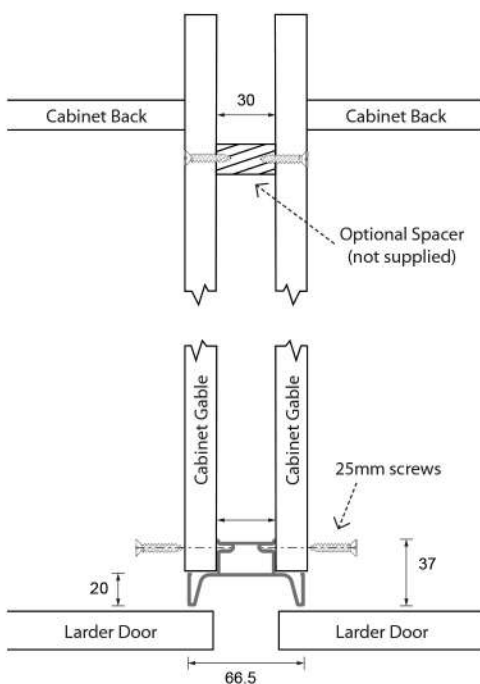


- Used on tall units when two opening doors meet.
- Secured to cabinet gables with 25mm cabinet screws.
- Can be cut to size using a circular chop saw.
- A 30mm spacer (not supplied) is required at the back between the two cabinets to maintain the void created by the profile trim.
- The front of the cabinet gables need to be set back by 20mm for the trim to overlap behind the doors.

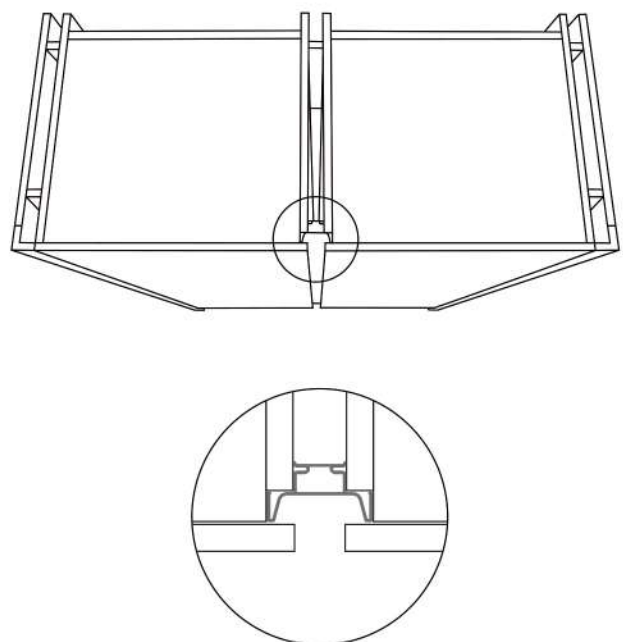
## DIMENSIONS



## FITTED DETAIL



## APPLICATION BETWEEN TWO DOORS



# Vertical Profile - Single Door (Lateral)

## Finish / Material

Aluminium

## Dimensions

2550 x 48.3 x 30mm

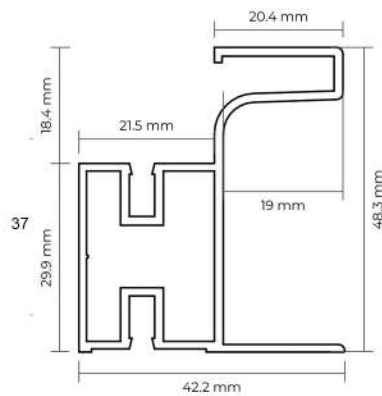
## Accessories available

Appliance Spacer Profile  
30mm Rear Spacer

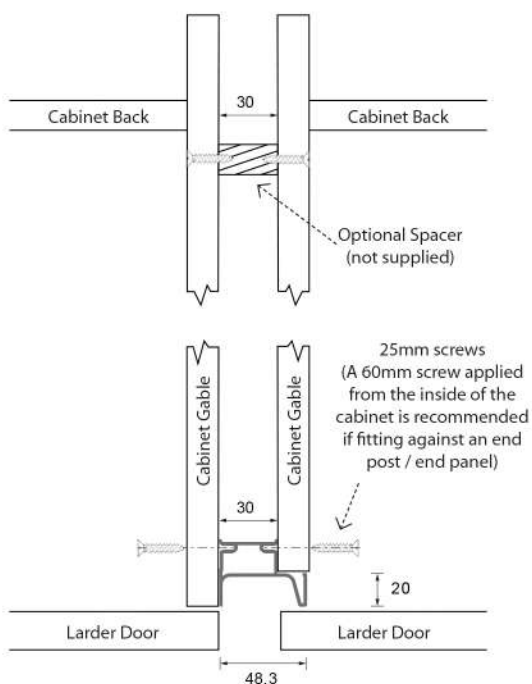


- Used on tall units when you have an opening door on one side only, can also be used to end a run where an end post or end panel is fitted.
- Secured to cabinet gable with 25mm cabinet screws.
- Can be cut to size using a circular chop saw.
- A 30mm spacer (not supplied) is required at the back between two cabinets or between a cabinet and end panel.
- The front of the cabinet gable needs to be set back by 20mm for the trim to overlap behind the door.
- To fix an end post or end panel to the profile you need to drill through the screw support channel and attach the end post from the inside of the cabinet with a 60mm screw.

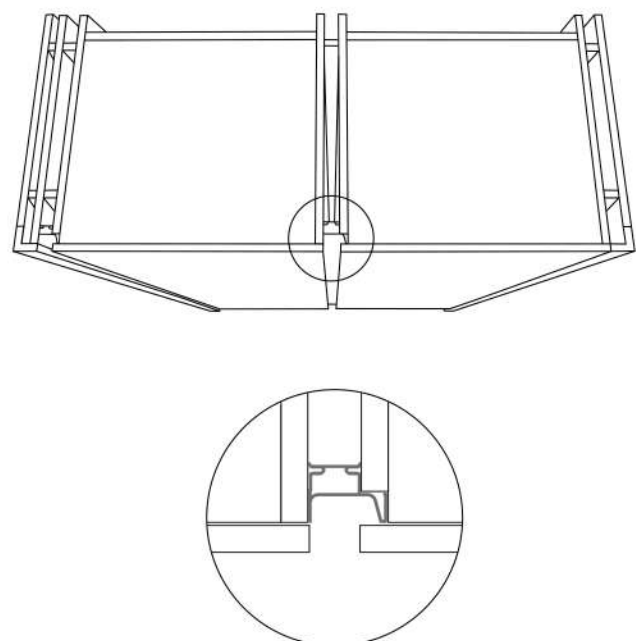
## DIMENSIONS



## FITTED DETAIL



## APPLICATION BETWEEN TWO DOORS



# Vertical Profile - Appliance Spacer

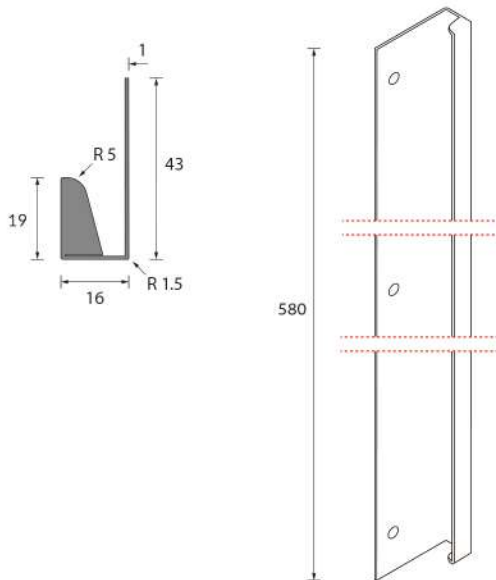
**Finish / Material**  
Aluminium

**Dimensions**  
580 x 43 x 16mm

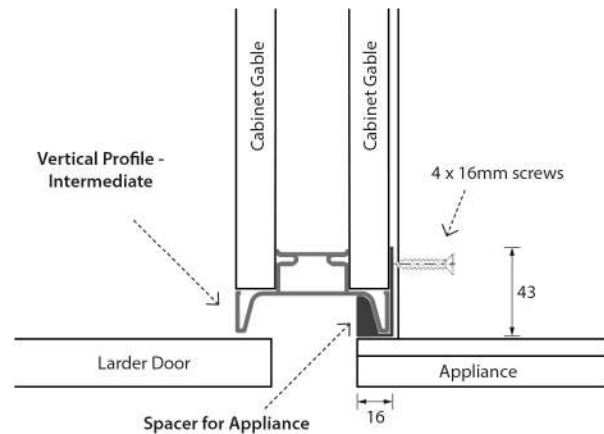


- Used to conceal the space behind the front of an appliance when used in an appliance housing unit combined with vertical profiles.
- Fixed into the cabinet gable with 3 screws (4 x 16mm).
- Works with both intermediate and lateral vertical profiles.
- The trim can be cut down to suit different sized appliances. If doing so, we recommend that a metal file is used to remove any sharp edges on the cut edge and that it is positioned out of sight.
- If the appliance requires a screw fixing into the cabinet, the spacer can be drilled into to accommodate the screws.
- **Nb.** When stacking appliances, we recommend leaving a 10mm gap to the top and bottom of both appliances.

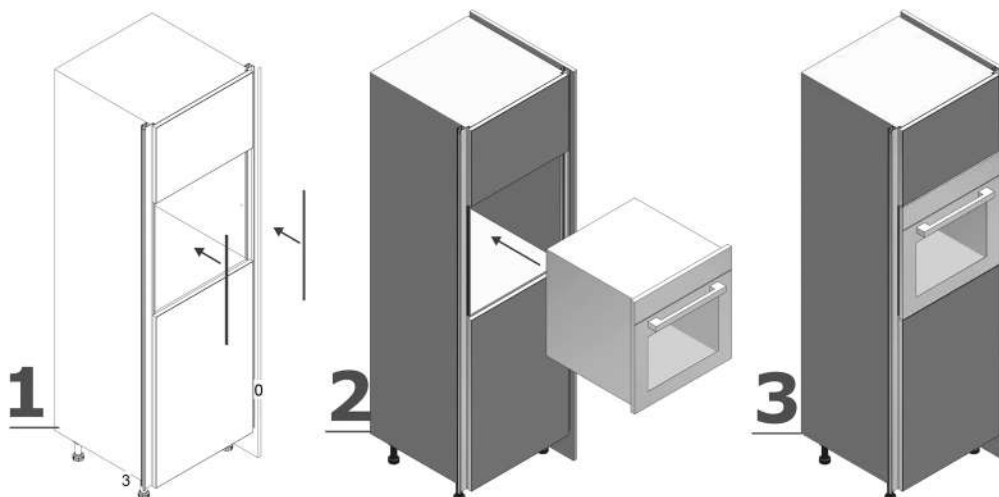
## DIMENSIONS



## FITTED DETAIL



## APPLIANCE INSTALLATION



# Vertical Profile - 30mm Rear Spacer Set

**Finish / Material**  
Steel

**Dimensions**  
150 x 30mm

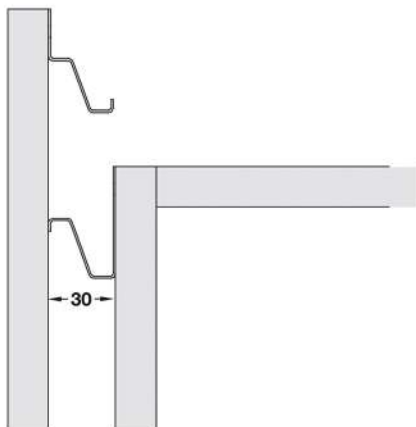


**Suitable for True Handleless vertical profiles**

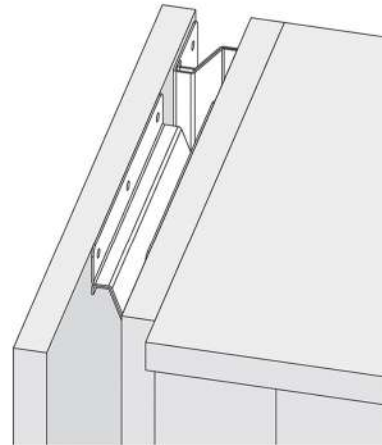
30mm Spacer set consists of 1 x left hand bracket and 1 x right bracket and are used to support the gap between two cabinets or a cabinet and an end panel that is created when using vertical profiles for the true handleless system.

Gap Size: 30mm  
1 x left hand bracket, 30 x 150 mm  
1 x right hand bracket, 30 x 150 mm

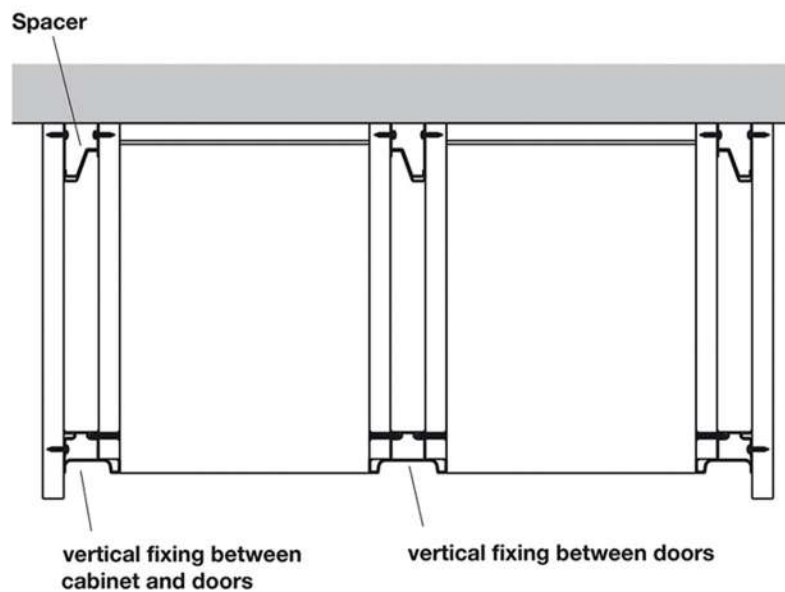
## DIMENSIONS



## FITTED DETAIL



## INSTALLATION



# Better Kitchens True Handleless Wall Units

## Finish / Material

MFC

Built in to the cabinet Structure

## Dimensions

18 x 20mm

## Accessories

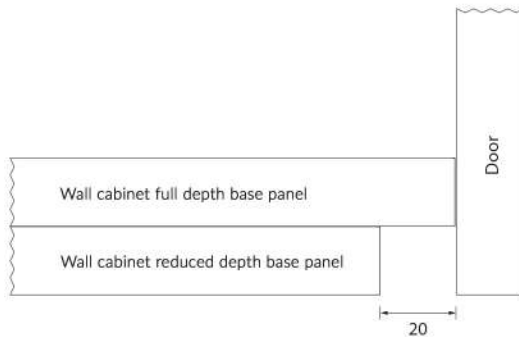
N/A



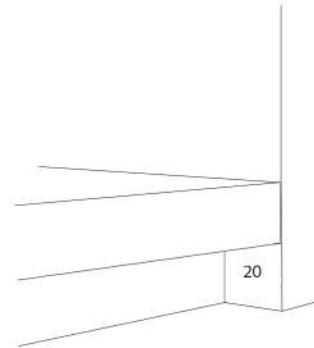
Our True Handleless wall units are designed for seamless integration without the need for additional parts. Each unit features two base panels, with the bottom one reduced by 20mm in depth to create a discreet finger groove.

This clever design allows for easy opening while remaining completely hidden when the door is closed, maintaining a clean and modern aesthetic.

## FITTED DETAIL



## CABINET DETAIL



Liscio Cashmere Gloss  
with Silver True Handleless Profiles